

**Part Number: PT392-34145 (DIO)
PT392-3414C (PPO)**

Kit Contents

Item #	Quantity Req'd.	Description
1	1	Extender Assembly
2	1	Hardware Bag
3	1	Care Card

Hardware Bag Contents

Item #	Quantity Req'd.	Description
1	4	M8 x 25 Torx Head Bolt
2	2	Anti-Chip Tape
3	1	Right Mounting Bracket
4	1	Left Mounting Bracket

Additional Items Required For Installation

Item #	Quantity Req'd.	Description
1		
2		
3		

Conflicts

--

Recommended Tools

Personal & Vehicle Protection	Notes
Safety Glasses	
Blanket	
Special Tools	Notes
Installation Tools	Notes
T-40 Torx Driver	
Torque Wrench	
Special Chemicals	Notes
Cleaner	Approved Cleaner

General Applicability

--

Recommended Sequence of Application


Item #	Accessory
1	Bed Liner
2	Bed Extender
3	Bed Cleat


*Mandatory


Vehicle Service Parts (may be required for reassembly)


Item #	Quantity Req'd.	Description
1		
2		
3		


Legend


 **STOP:** Damage to the vehicle may occur. Do not proceed until process has been complied with.

 **OPERATOR SAFETY:** Use caution to avoid risk of injury.

 **CAUTION:** A process that must be carefully observed in order to reduce the risk of damage to the accessory/vehicle and to ensure a quality installation.

 **TOOLS & EQUIPMENT:** Used in Figures calls out the specific tools and equipment recommended for this process.

 **REVISION MARK:** This mark highlights a change in installation with respect to previous issue.

 **SAFETY TORQUE:** This mark indicates that torque is related to safety.



Care must be taken when installing this accessory to ensure damage does not occur to the vehicle. The installation of this accessory should follow approved guidelines to ensure a quality installation.

These guidelines can be found in the "Accessory Installation Practices" document.

This document covers such items as:-

- Vehicle Protection (use of covers and blankets, cleaning chemicals, etc.).
- Safety (eye protection, rechecking torque procedure, etc.).
- Vehicle Disassembly/Reassembly (panel removal, part storage, etc.).
- Electrical Component Disassembly/Reassembly (battery disconnection, connector removal, etc.).

Please see your Toyota dealer for a copy of this document.

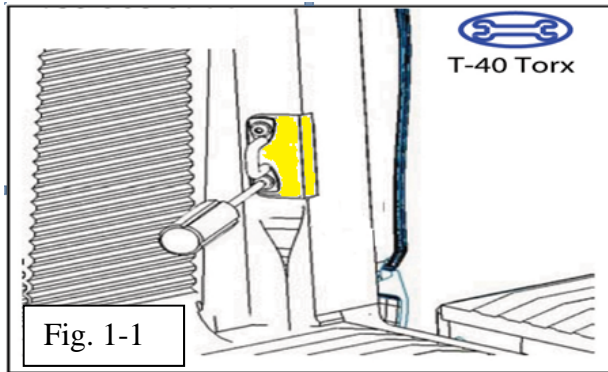


Fig. 1-1

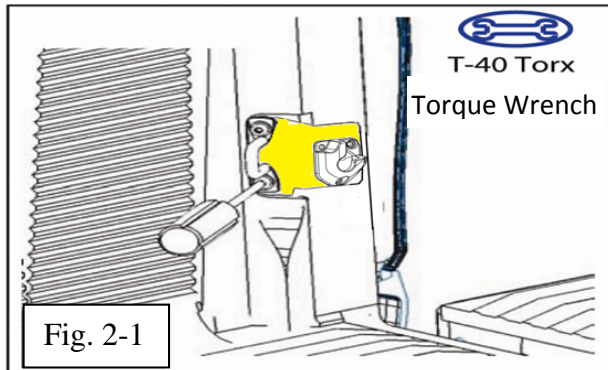


Fig. 2-1

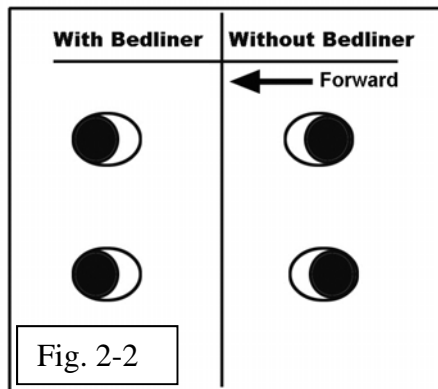


Fig. 2-2

Right side (passenger) shown

1. Remove Cargo Tie Down Loop.



(a) Apply vehicle protection blanket, then using a T-40 Torx driver, remove the two bolts that attach the right (passenger side) cargo tie down loop to the body (Fig.1-1)

(b) Discard the old bolts.



(c) Be careful not to scratch the vehicle.

2. Install Mounting brackets.

(a) Position the mounting bracket onto the truck bed. (Figure 2-1)

(b) If equipped with bed liner, the mounting bracket lies on top of bed liner/bed rug.



(c) Be careful not to scratch the vehicle.

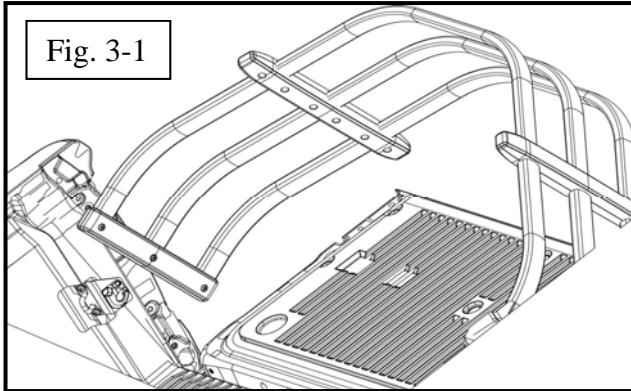
(d) Using the T-40 Torx driver, bolt down angle bracket using OE tie-down loop and the provided M8 bolts. (Fig. 2-1)



Torque: 17.5 N·m (13 ft·lbf)

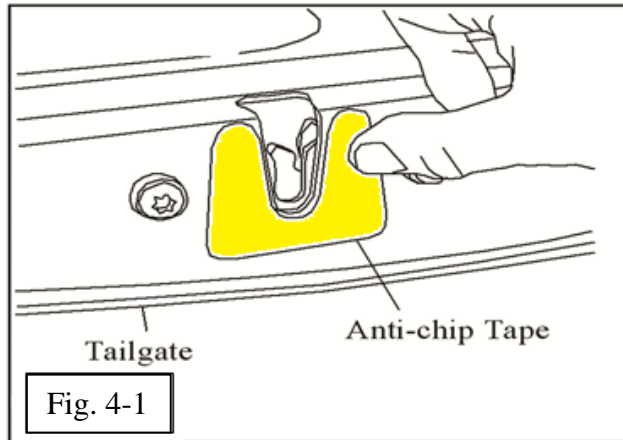
NOTE: The slotted mounting holes of the bracket allow an adjustment for the clearance of the bed liner, forward for trucks without a bed liner. (Fig. 2-2)

(e) Repeat procedure (Steps 1 to 2) for the left (driver side) cargo tie-down loop and the left angle bracket.



3. Install Bed Extender.

- (a) Remove Extender Assembly from package.
- (b) To install, rotate Bed Extender 55° from tailgate and slide the pivots into mounting brackets as shown in (Fig. 3-1).



4. Adjustment of Locking Straps.

- (a) Install Anti-Chip Tape onto tailgate latch area as shown in (Fig. 4-1)
 - 1. Clean surface before installing Anti-Chip Tape using an approved cleaner. Do not allow cleaner to air dry.
- (b) Adjust strap length and position in order to allow plastic insert to lock into tailgate. (Fig. 4-2).

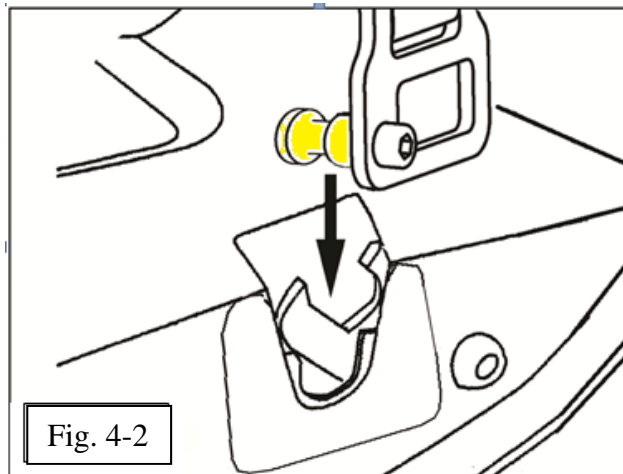




Fig. 6-1



Fig. 6-2

5. Stow Bed Extender and Side Locking Straps.

- (a) Rotate the Bed Extender to lie inside the truck Bed.
- (b) Wrap the driver and passenger side locking straps into a simple knot as shown in Fig. 6-1 and Fig. 6-2.

6. Care Card.



- (a) Place the care card in the glove box.

Accessory Function Checks

- Bed Extender Installation
- Tailgate strap adjustment
- Torque adjustment of mounting bolts
- Upright foot positioning in bed and on tailgate
- Stow Bed Extender and straps

Bed extender pivot point must rest in mounting brackets.

Tailgate straps must be able to lock into tailgate locks.

Bracket mounting bolts must be tightened to: 17.5 N-m (13 lbf-ft.)

Ensure that upright feet sit properly on a flat surface on the tailgate edge and inside the bed; with bed liner, within the pad.

Ensure Bed Extender is stowed and locking straps are tied in simple knot to reduce slack.

Vehicle Function Checks

- Tailgate latch

Strap latch retainer can be released from the tailgate latch

Vehicle Appearance Check

- After accessory installation and removal of protective cover(s), perform a visual inspection.

Ensure no damage (including scuffs and scratches) was caused during the installation process.
 (For PPO installations, refer to TMS Accessory Quality Shipping Standard.)